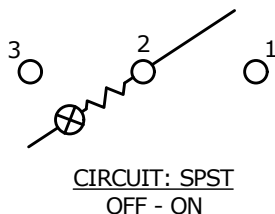


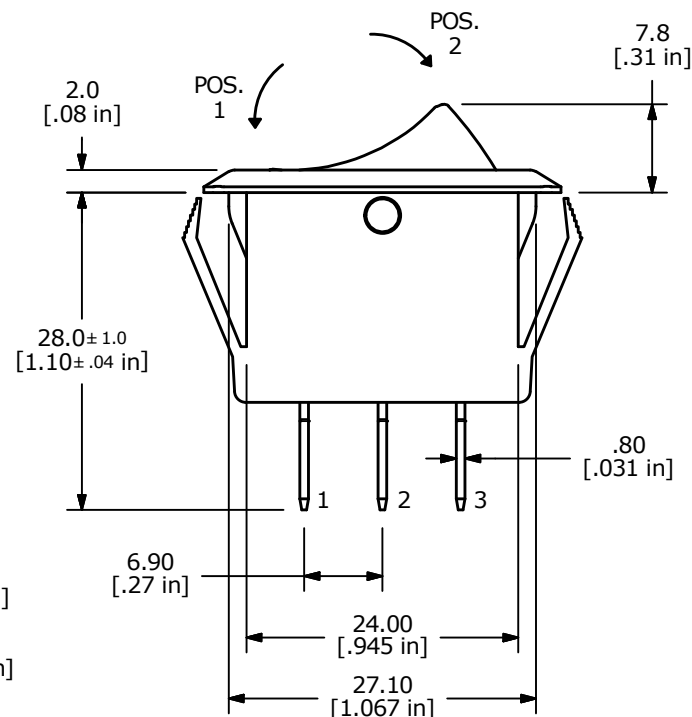
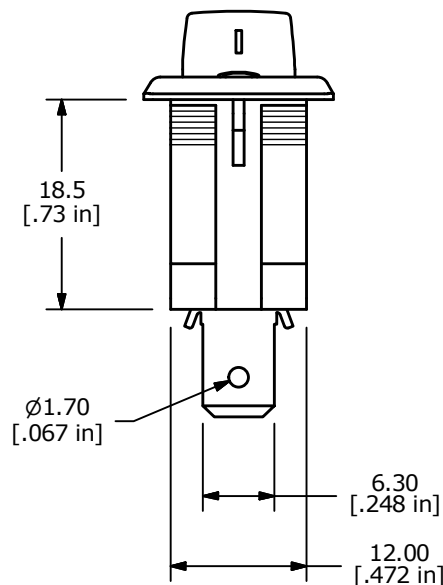
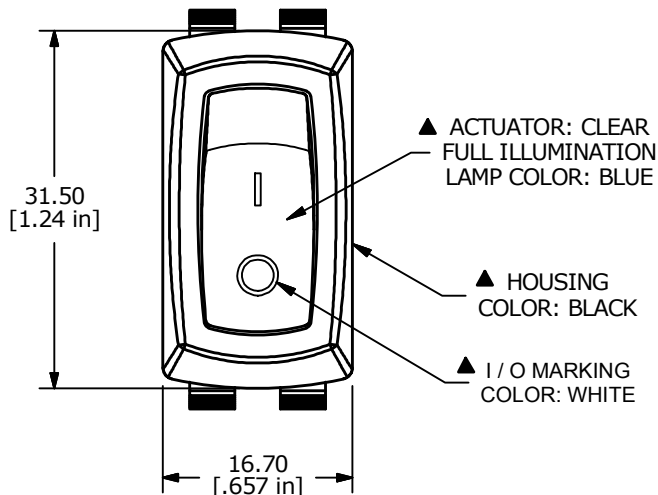
SUGGESTED PANEL CUTOUT

SWITCH FUNCTION	
POS. 1	POS. 2
OFF	ON
OPEN	2-1, 2-3



NOTES:

1. ALL DIMENSIONS IN MM [INCH]
2. GENERAL TOLERANCE: X.X = ±0.4  
X.XX = ±0.25
3. TERM. NOS. FOR REF. ONLY
- ▲ 4. RATING: 20A 125VAC [cURus]  
16A 250VAC [cURus]  
1/3HP 125/250VAC [cURus]  
3/4HP 125/250VAC [cURus]  
16(4)A 250V~ 1E4 T85/55 [ENEC10, VDE]  
20(8)A 250V~ 1E4 T125/55 [ENEC10, VDE]  
10(2)A 250V~ 5E4 T85/55 [ENEC10, VDE]
5. MATERIAL: CONTACT SURFACE: SILVER PLATED COPPER  
TERMINAL: BRASS ALLOY w/SILVER PLATE
6. ELECTRICAL LIFE: 10,000 CYCLES MIN.
7. CONTACT RESISTANCE: 20 Milli-OHMS MAX.
8. OPERATING TEMP: -20°C TO 65°C [cURus]  
-20°C TO 105°C [cURus]  
0°C TO 85°C [ENEC, VDE]  
0°C TO 125°C [ENEC, VDE]
9. DIELECTRIC STRENGTH: >1,000V AC 1MIN
- ▲ 10. LAMP VOLTAGE: 250V
11. ▲ DENOTES CRITICAL PARAMETER.
12. 2011/65/EU (ROHS) COMPLIANT



B	23173	UPDATED RATINGS	1/19/18	MJR
A	23046	NEW RELEASE	10/19/17	MW
REV	PCR NO	DESCRIPTION	DATE	BY

TITLE RSC241D1021-147				
SCALE 3:2	DATE 10/19/2017	DR MW	DWG 14-RSC241D1021147	REV B

THE INFORMATION CONTAINED IN THIS DOCUMENT IS PROPRIETARY TO E-SWITCH AND IS NOT TO BE COPIED OR TRANSFERRED